

Revisions

No.	Date	Description

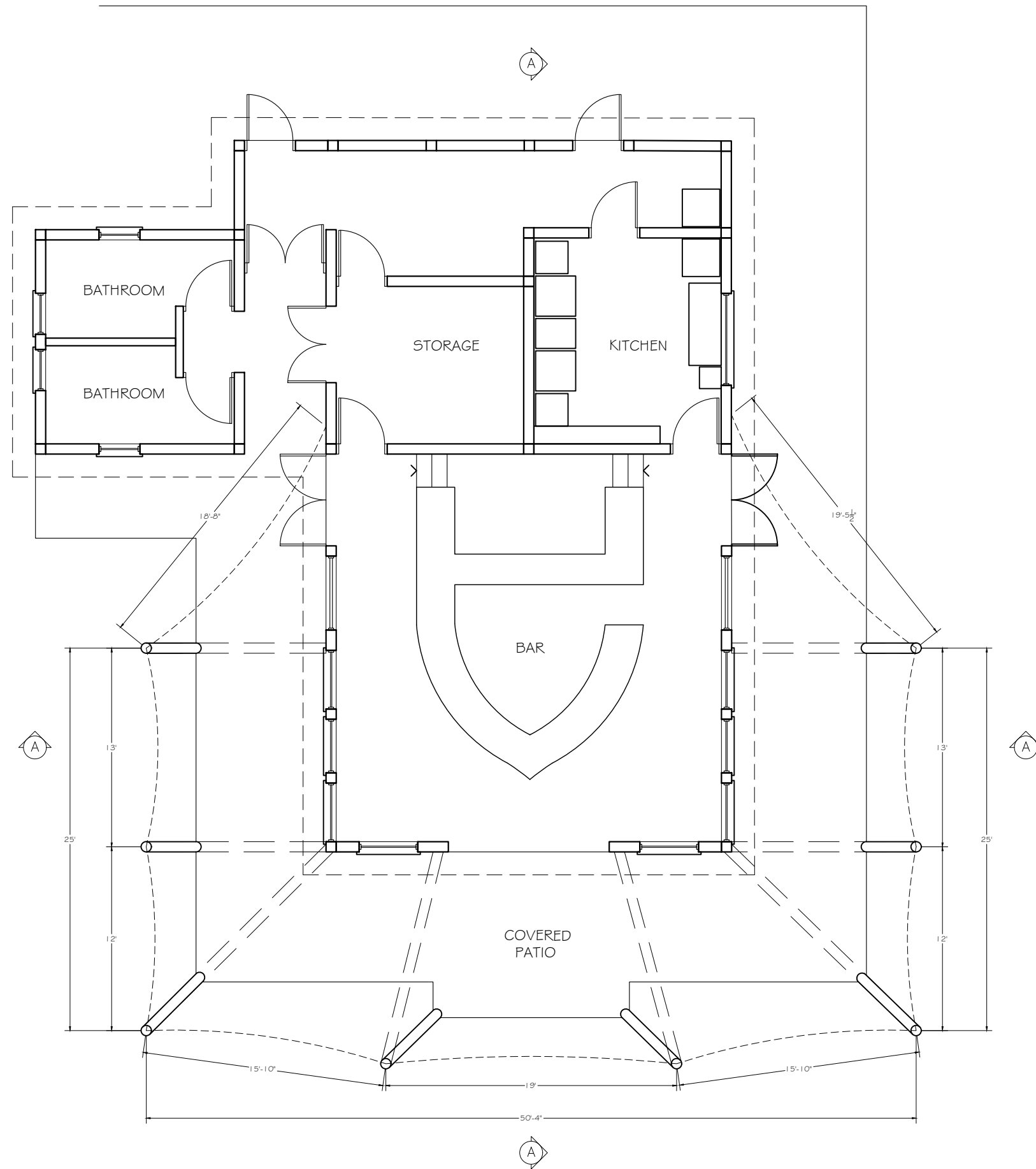
General Notes

1. This drawing is the exclusive property of the The Ministry of Communications & Works for Montserrat and the reproduction in whole or in part is prohibited without prior written consent.
2. The Contractor is to check and verify all levels datum and dimensions and report any discrepancy or omission to the Architect, prior to construction.
3. Drawings are not to be scaled
4. The Architect is not responsible for dimensions of the site plan unless they are taken directly from a registered boundary survey carried out by a Licensed Land Surveyor.
5. This drawing is to be read in conjunction with Structural, Mechanical, Electrical and/or other consultant's documentation that is applicable to the project.

PROJECT
MARINE VILLAGE
DIVE SHOP

DRAWING
EXISTING PLAN

PROJECT NO.
DATE
21/12/2018
SCALE
As Shown
DRAWN BY
MCWL
CHECKED BY
DRAWING NO.
A-01
REV:



A-01 EXISTING FLOOR PLAN
SCALE 1/8" = 1'-0"

Revisions

No.	Date	Description

General Notes

1. This drawing is the exclusive property of the The Ministry of Communications & Works for Montserrat and the reproduction in whole or in part is prohibited without prior written consent.
2. The Contractor is to check and verify all levels datum and dimensions and report any discrepancy or omission to the Architect, prior to construction.
3. Drawings are not to be scaled
4. The Architect is not responsible for dimensions of the site plan unless they are taken directly from a registered boundary survey carried out by a Licensed Land Surveyor.
5. This drawing is to be read in conjunction with Structural, Mechanical, Electrical and/or other consultant's documentation that is applicable to the project.

PROJECT
MARINE VILLAGE
DIVE SHOP

DRAWING
EXISTING
SECTIONS

PROJECT NO.

DATE
21/12/2018

SCALE
As Shown

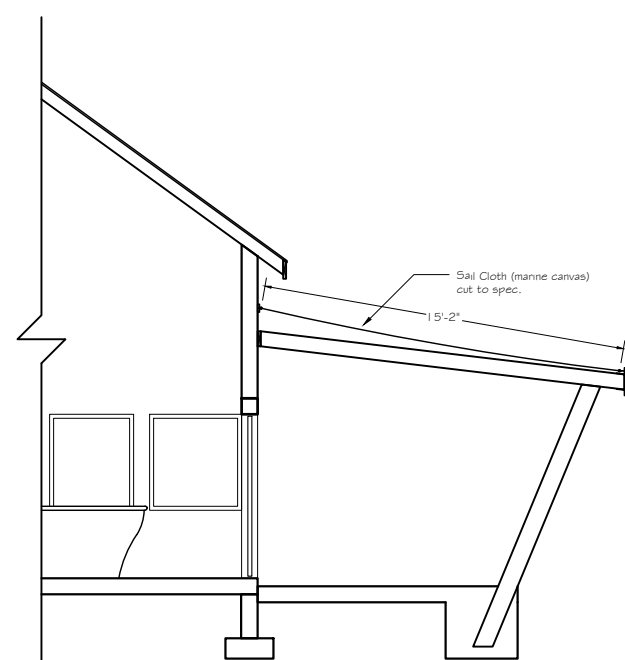
DRAWN BY
MCWL

CHECKED BY

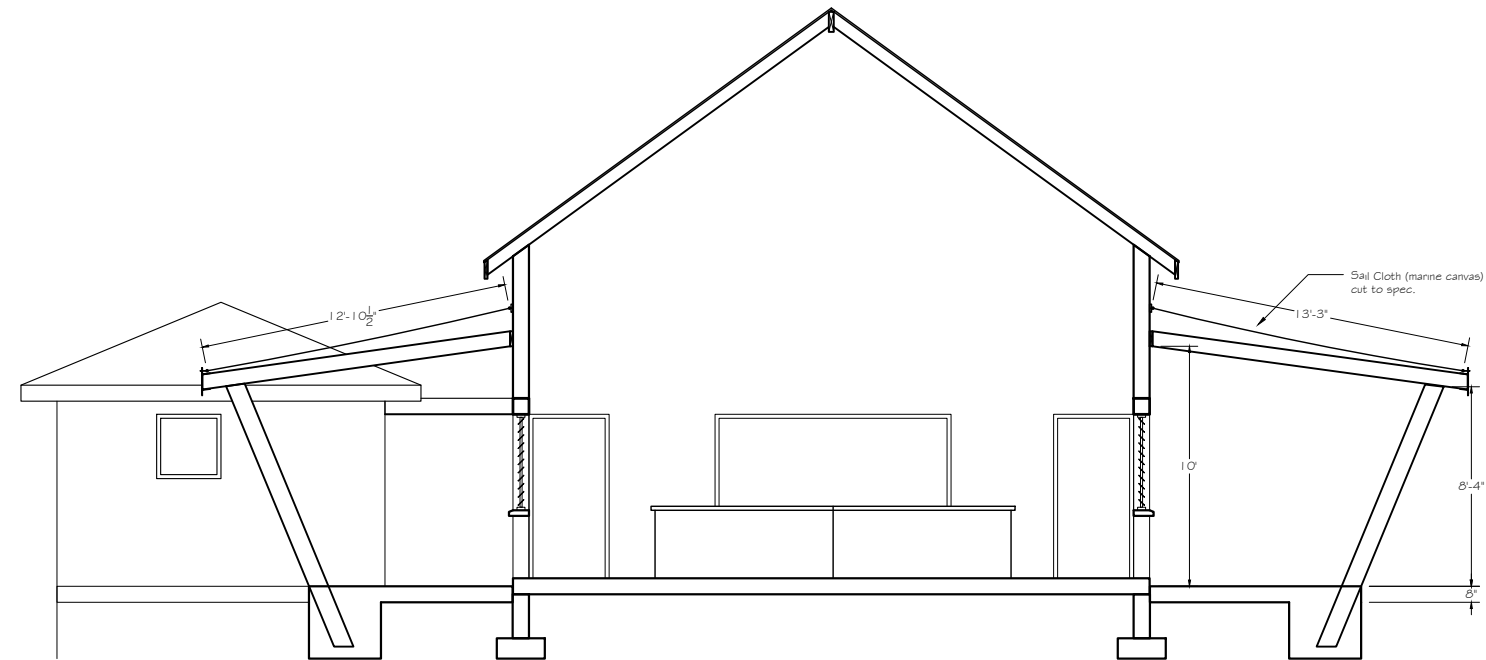
DRAWING NO.

A-02/03

REV:



A-02 SECTION A
SCALE 1/8" = 1'-0"



A-03 SECTION B
SCALE 1/8" = 1'-0"

Revisions

A	MM/DD/YY	Description

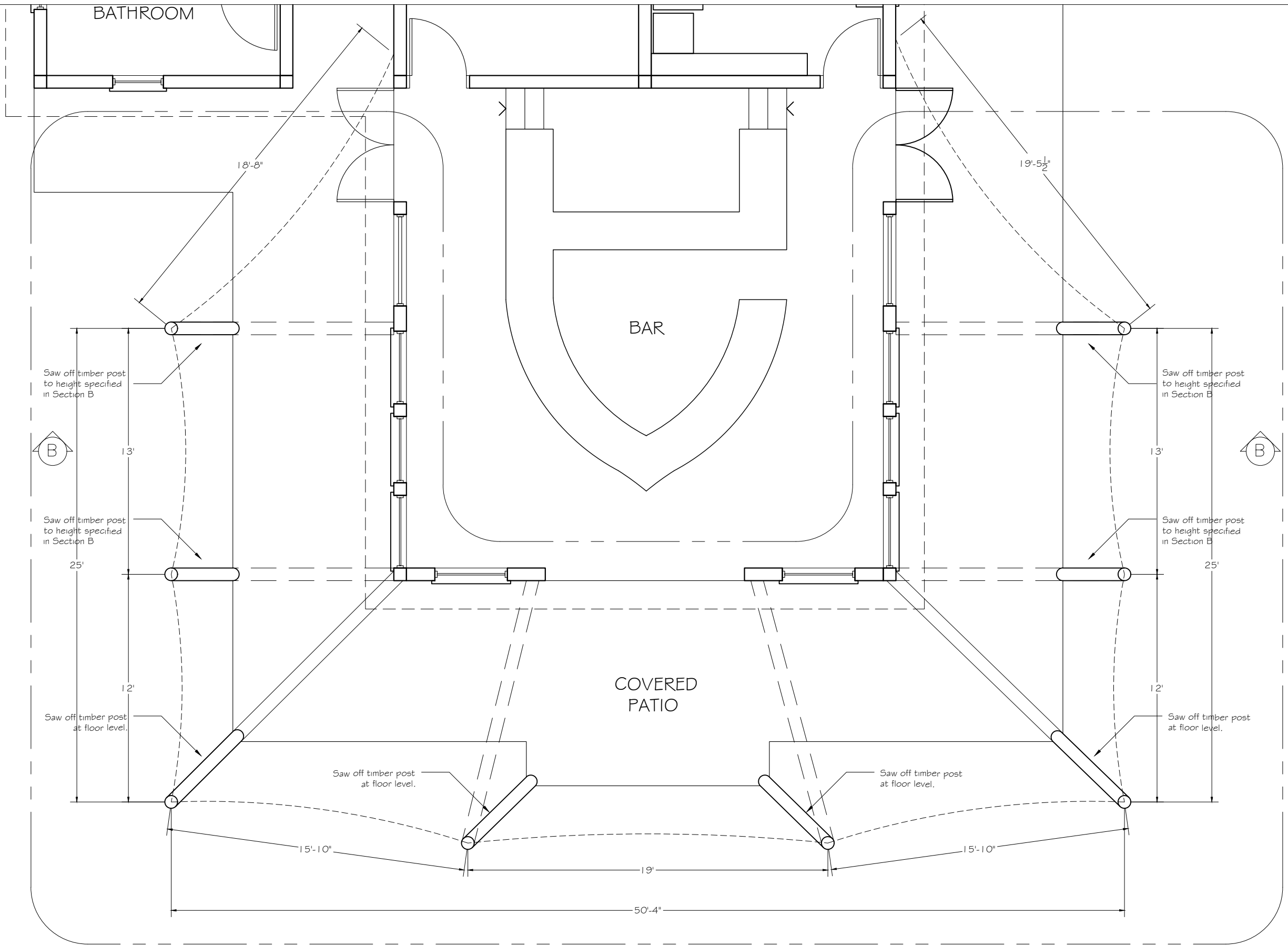
General Notes

1. This drawing is the exclusive property of the The Ministry of Communications & Works for Montserrat and the reproduction in whole or in part is prohibited without prior written consent.
2. The Contractor is to check and verify all levels datum and dimensions and report any discrepancy or omission to the Architect, prior to construction.
3. Drawings are not to be scaled
4. The Architect is not responsible for dimensions of the site plan unless they are taken directly from a registered boundary survey carried out by a Licensed Land Surveyor.
5. This drawing is to be read in conjunction with Structural, Mechanical, Electrical and/or other consultant's documentation that is applicable to the project.

PROJECT
MARINE VILLAGE
DIVE SHOP

DRAWING
DEMOLITION
PLAN

PROJECT NO.	
DATE	21/12/2018
SCALE	As Shown
DRAWN BY	MCWL
CHECKED BY	
DRAWING NO.	A-01.1
REV:	



NOTES

ALL EXTERNAL TIMBER BEAM AND CANVAS CLOTH IN THE SPECIFIED AREA BE REMOVED AND STORED (consult architect).

DEMOLITION FLOOR PLAN
SCALE 3/16" = 1'-0"

Revisions

A	MM/DD/YY	Date	Description

General Notes

1. This drawing is the exclusive property of the The Ministry of Communications & Works for Montserrat and the reproduction in whole or in part is prohibited without prior written consent.
2. The Contractor is to check and verify all levels datum and dimensions and report any discrepancy or omission to the Architect, prior to construction.
3. Drawings are not to be scaled
4. The Architect is not responsible for dimensions of the site plan unless they are taken directly from a registered boundary survey carried out by a Licensed Land Surveyor.
5. This drawing is to be read in conjunction with Structural, Mechanical, Electrical and/or other consultant's documentation that is applicable to the project.

PROJECT
MARINE VILLAGE
DIVE SHOP

DRAWING
FOUNDATION
PLAN

PROJECT NO.

DATE
21/12/2018

SCALE
As Shown

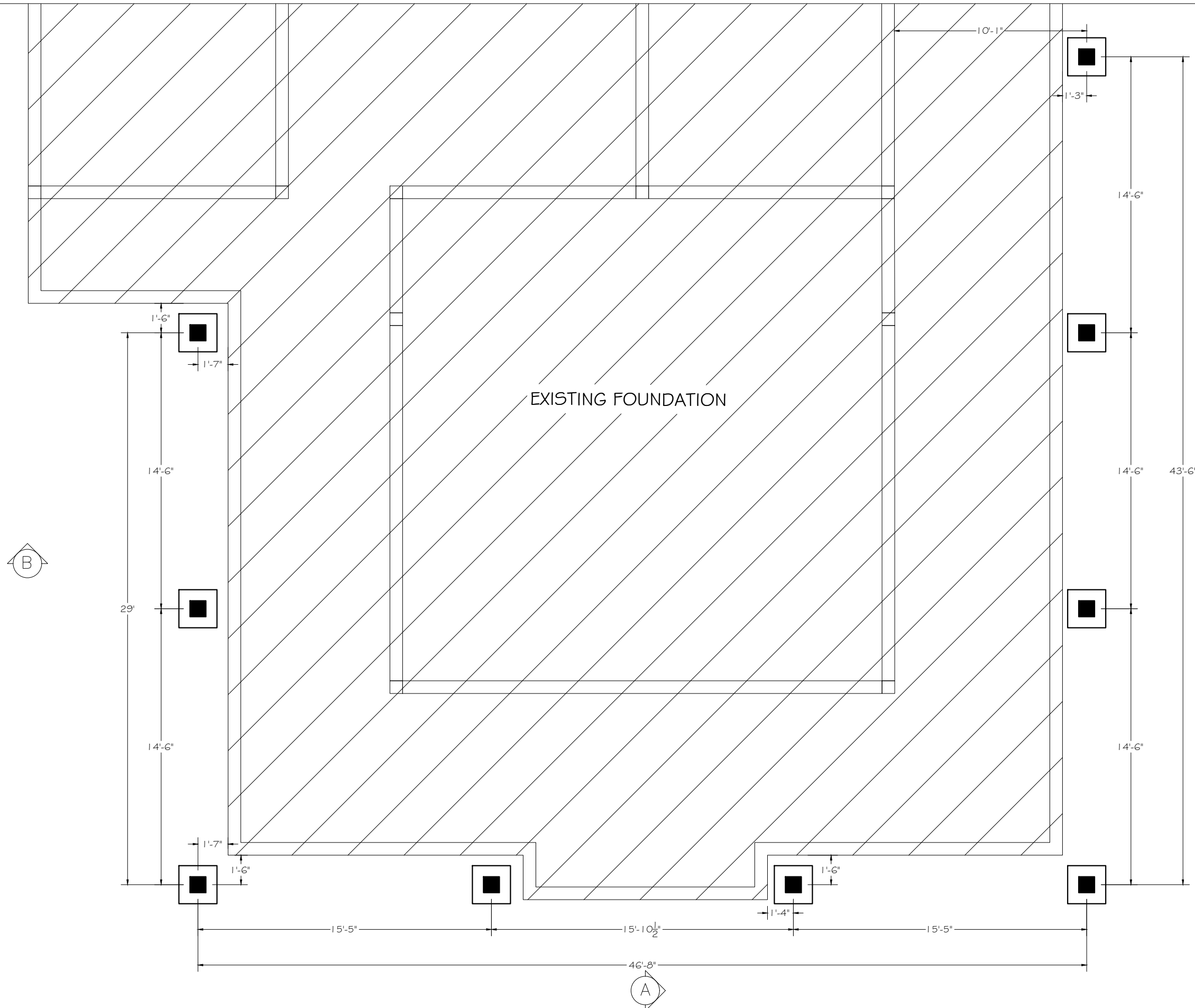
DRAWN BY
MCWL

CHECKED BY

DRAWING NO.

S-01

REV:



(S-01) FOUNDATION PLAN
SCALE 3/16" = 1'-0"

Revisions

A	MM/DD/YY	Description

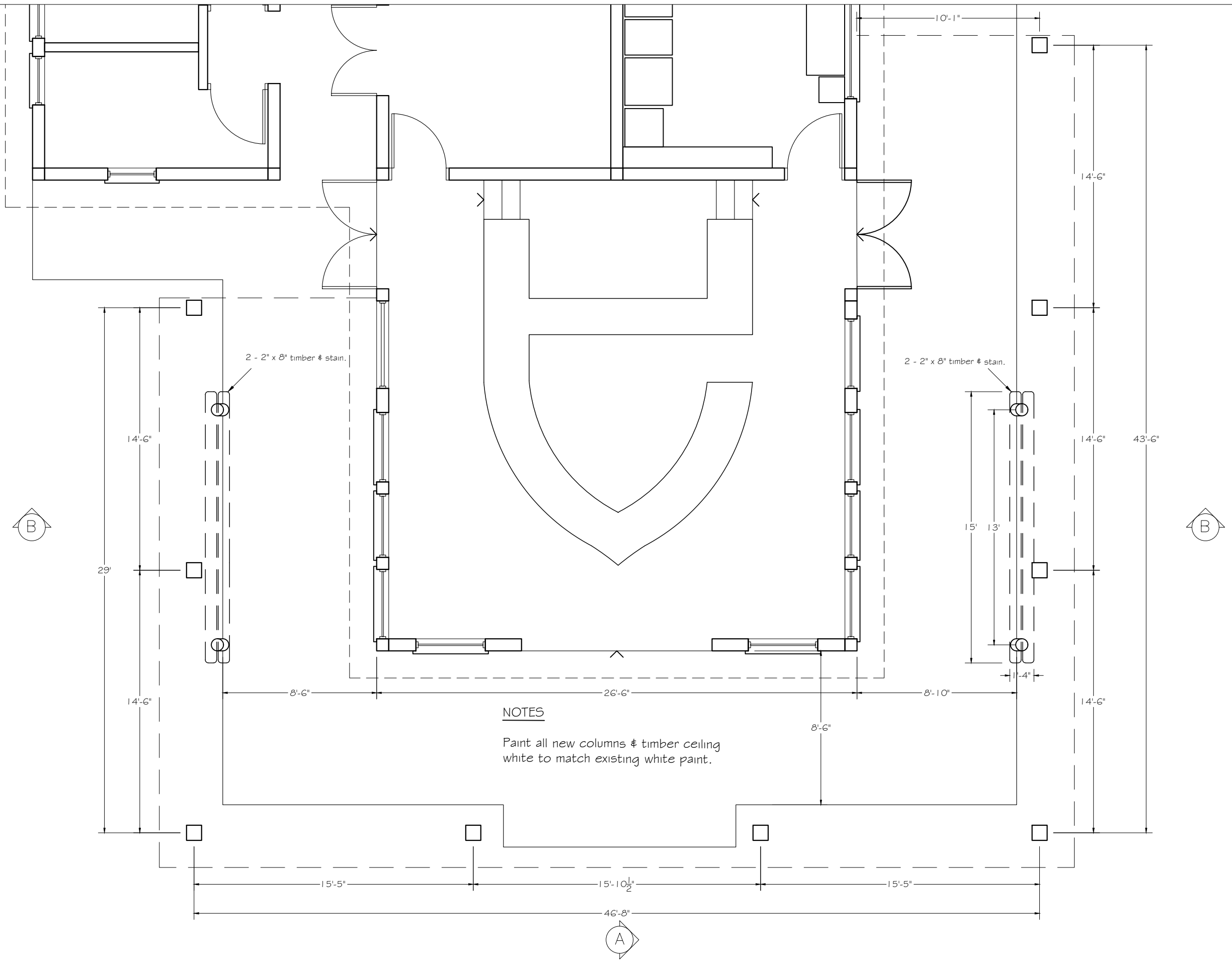
General Notes

1. This drawing is the exclusive property of the The Ministry of Communications & Works for Montserrat and the reproduction in whole or in part is prohibited without prior written consent.
2. The Contractor is to check and verify all levels datum and dimensions and report any discrepancy or omission to the Architect, prior to construction.
3. Drawings are not to be scaled
4. The Architect is not responsible for dimensions of the site plan unless they are taken directly from a registered boundary survey carried out by a Licensed Land Surveyor.
5. This drawing is to be read in conjunction with Structural, Mechanical, Electrical and/or other consultant's documentation that is applicable to the project.

PROJECT
MARINE VILLAGE
DIVE SHOP

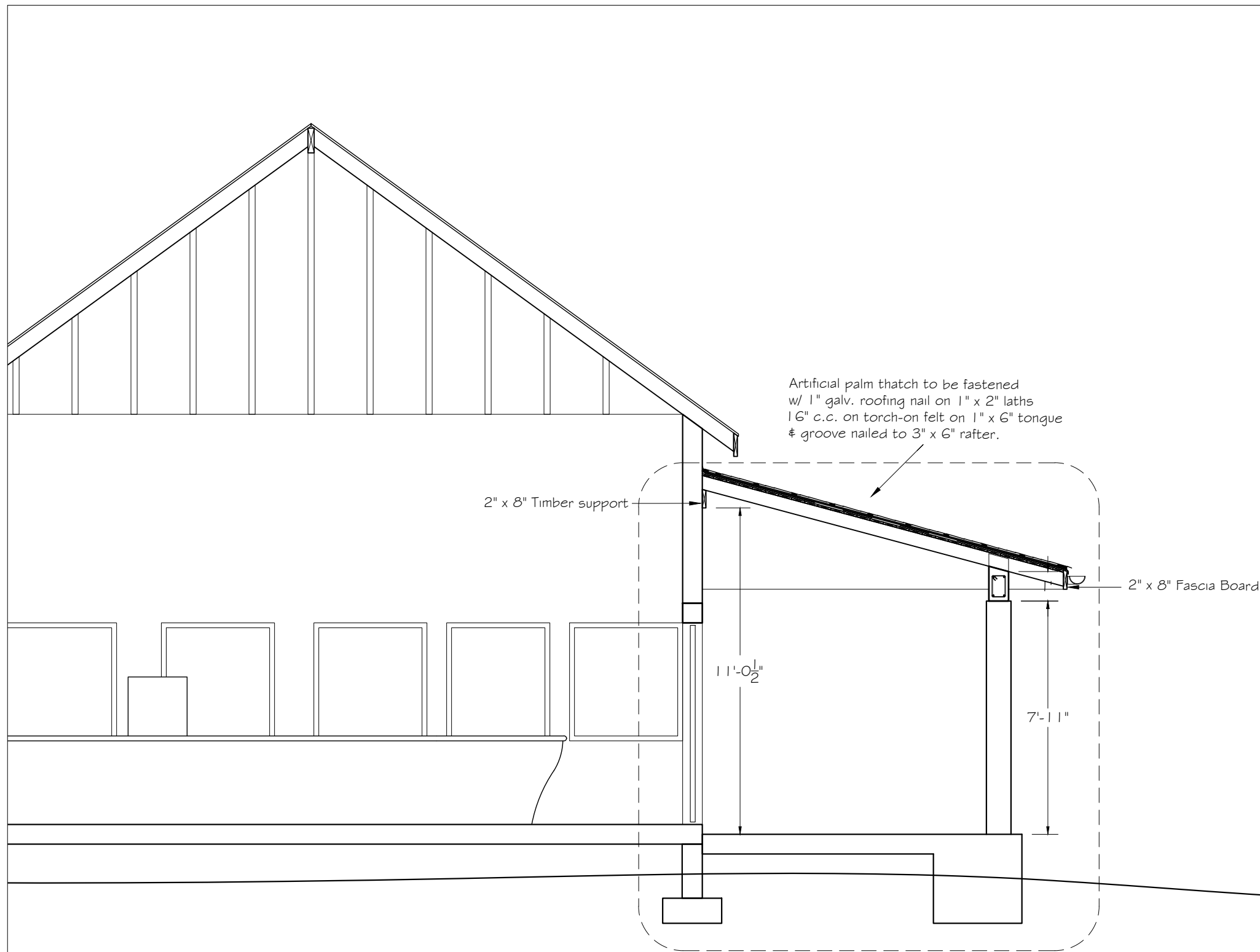
DRAWING
PROPOSED PLAN

PROJECT NO.
DATE
21/12/2018
SCALE
As Shown
DRAWN BY
MCWL
CHECKED BY
DRAWING NO.
A-04
REV:

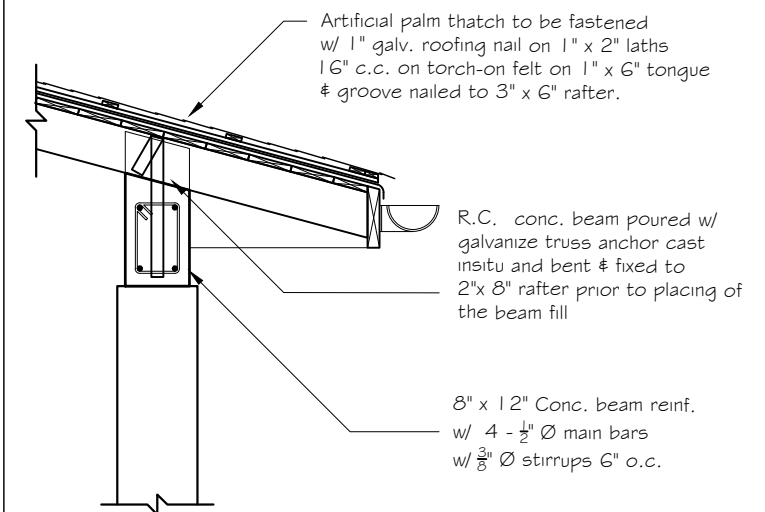


NOTES
Paint all new columns & timber ceiling
white to match existing white paint.

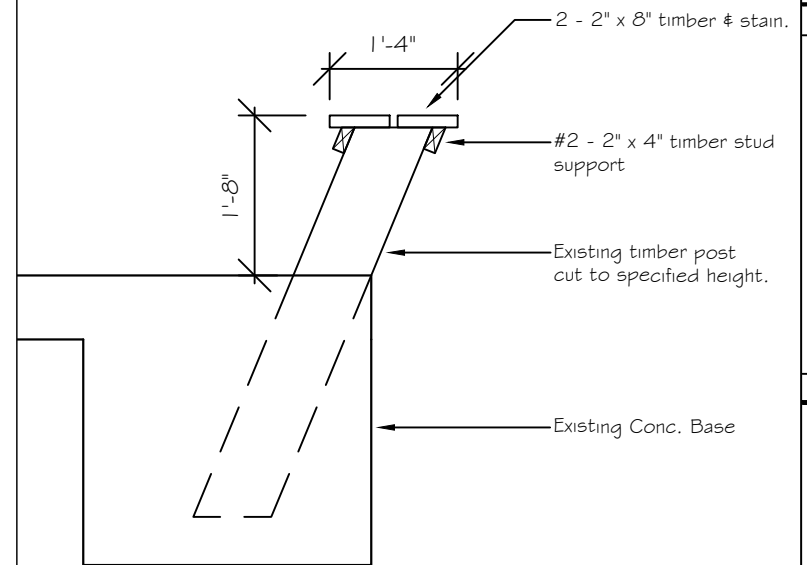
A-04 PROPOSED FLOOR PLAN
SCALE 3/16" = 1'-0"



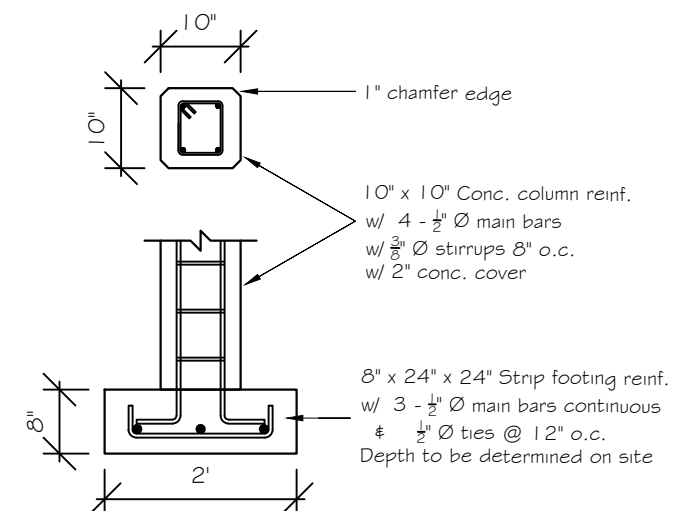
A-05 SECTION A
SCALE 1/4" = 1'-0"



D-1 BEAM/ROOF DETAIL
SCALE 1/2" = 1'-0"



D-2 COLUMN/PAD FOOTING DETAIL
SCALE 1/2" = 1'-0"



D-3 COLUMN/PAD FOOTING DETAIL
SCALE 1/2" = 1'-0"

PWD

Public Works
Department
Ministry of
Communications
& Works

P.O. Box 344
Montserrat
West Indies
T: (664) 491-6611
F: (664) 491-6659
E: govarch@gov.ms

Revisions

A	MM/DD/YY	Description

General Notes

1. This drawing is the exclusive property of The Ministry of Communications & Works for Montserrat and the reproduction in whole or in part is prohibited without prior written consent.
2. The Contractor is to check and verify all levels datum and dimensions and report any discrepancy or omission to the Architect, prior to construction.
3. Drawings are not to be scaled
4. The Architect is not responsible for dimensions of the site plan unless they are taken directly from a registered boundary survey carried out by a Licensed Land Surveyor.
5. This drawing is to be read in conjunction with Structural, Mechanical, Electrical and/or other consultant's documentation that is applicable to the project.

PROJECT
MARINE VILLAGE
DIVE SHOP

DRAWING
SECTION A

PROJECT NO.
DATE
21/12/2018
SCALE
As Shown
DRAWN BY
MCWL
CHECKED BY
A-05
REV:

Revisions

A	MM/DD/YY	Description

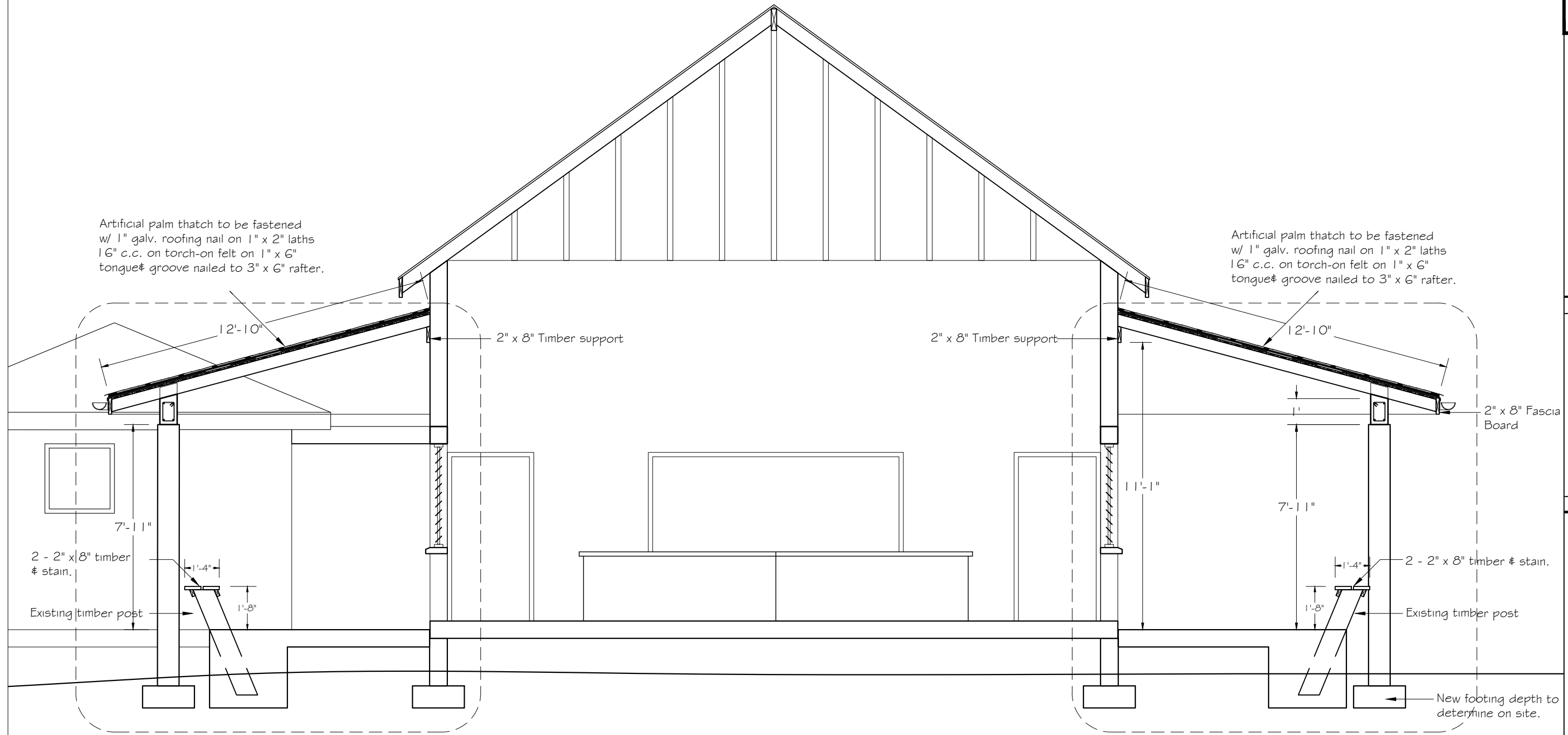
General Notes

1. This drawing is the exclusive property of the The Ministry of Communications & Works for Montserrat and the reproduction in whole or in part is prohibited without prior written consent.
2. The Contractor is to check and verify all levels datum and dimensions and report any discrepancy or omission to the Architect, prior to construction.
3. Drawings are not to be scaled
4. The Architect is not responsible for dimensions of the site plan unless they are taken directly from a registered boundary survey carried out by a Licensed Land Surveyor.
5. This drawing is to be read in conjunction with Structural, Mechanical, Electrical and/or other consultant's documentation that is applicable to the project

PROJECT
MARINE VILLAGE
DIVE SHOP

DRAWING
SECTION B

PROJECT NO.	
DATE	21/12/2018
SCALE	As Shown
DRAWN BY	MCWL
CHECKED BY	
DRAWING NO.	A-06
REV:	



SECTION B
SCALE 1/4" = 1'-0"

PWD

Public Works
Department
Ministry of
Communications
& Works

P.O. Box 344
Montserrat
West Indies
T: (664) 491-6611
F: (664) 491-6659
E: govarch@gov.ms

Revisions

A	MM/DD/YY	Date	Description

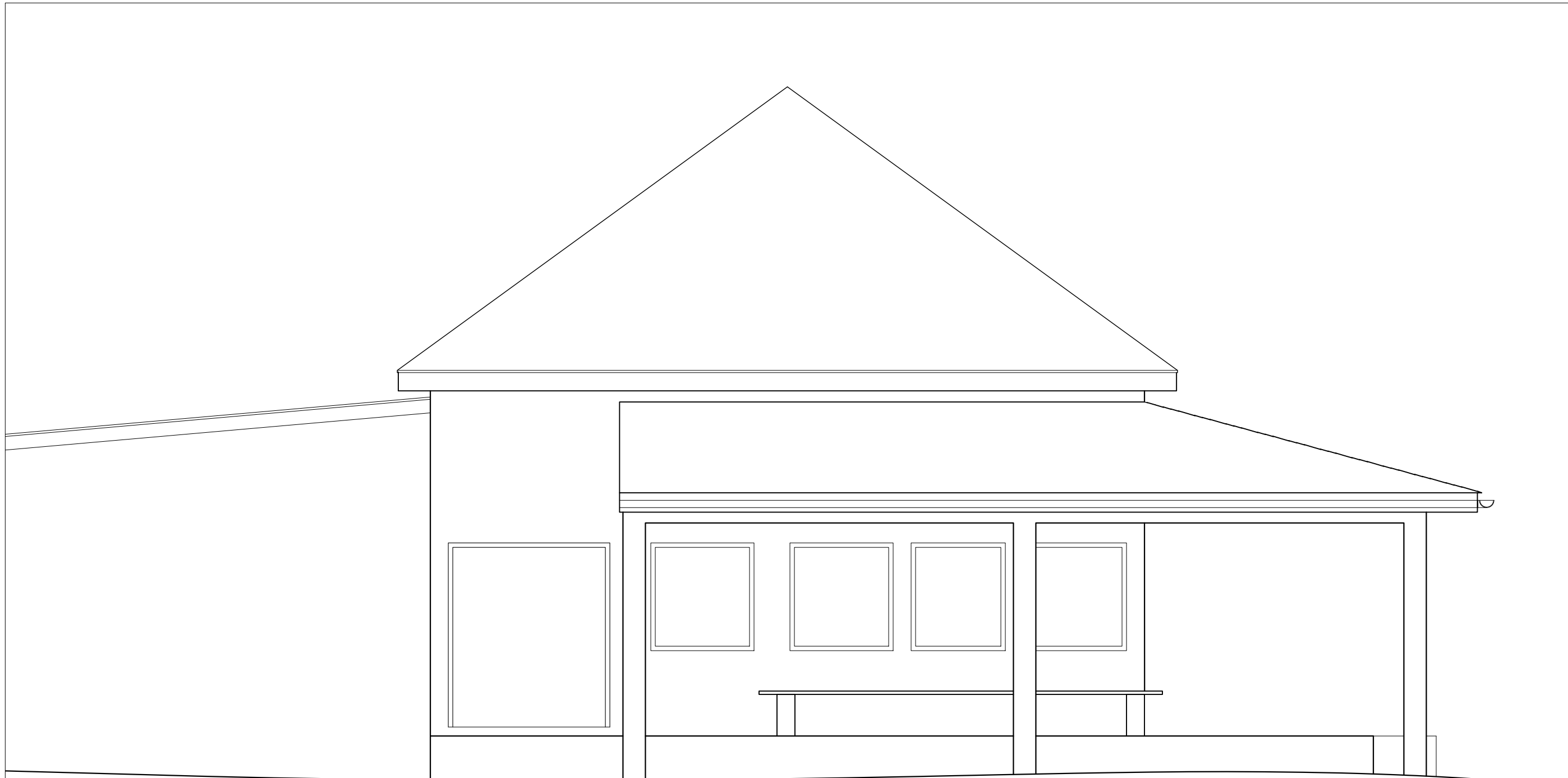
General Notes

1. This drawing is the exclusive property of the The Ministry of Communications & Works for Montserrat and the reproduction in whole or in part is prohibited without prior written consent.
2. The Contractor is to check and verify all levels datum and dimensions and report any discrepancy or omission to the Architect, prior to construction.
3. Drawings are not to be scaled
4. The Architect is not responsible for dimensions of the site plan unless they are taken directly from a registered boundary survey carried out by a Licensed Land Surveyor.
5. This drawing is to be read in conjunction with Structural, Mechanical, Electrical and/or other consultant's documentation that is applicable to the project

PROJECT
MARINE VILLAGE
DIVE SHOP

DRAWING
NORTH
ELEVATION

PROJECT NO.	
DATE	21/12/2018
SCALE	As Shown
DRAWN BY	MOWL
CHECKED BY	
DRAWING NO.	A-07
REV:	



NOTES

Paint all new columns & timber ceiling white to match existing white paint.

A-07 NORTH ELEVATION
SCALE 1/4" = 1'-0"

PWD

Public Works
Department
Ministry of
Communications
& Works

P.O. Box 344
Montserrat
West Indies
T: (664) 491-6611
F: (664) 491-6659
E: govarch@gov.ms



NOTES

Paint all new columns & timber ceiling
white to match existing white paint.

A-08 SOUTH ELEVATION
SCALE 1/4" = 1'-0"

Revisions

A	MM/DD/YY	Date	Description

General Notes

1. This drawing is the exclusive property of the The Ministry of Communications & Works for Montserrat and the reproduction in whole or in part is prohibited without prior written consent.
2. The Contractor is to check and verify all levels datum and dimensions and report any discrepancy or omission to the Architect, prior to construction.
3. Drawings are not to be scaled
4. The Architect is not responsible for dimensions of the site plan unless they are taken directly from a registered boundary survey carried out by a Licensed Land Surveyor.
5. This drawing is to be read in conjunction with Structural, Mechanical, Electrical and/or other consultant's documentation that is applicable to the project.

PROJECT
MARINE VILLAGE
DIVE SHOP

DRAWING
SOUTH
ELEVATION

PROJECT NO.	
DATE	21/12/2018
SCALE	As Shown
DRAWN BY	MCHL
CHECKED BY	
DRAWING NO.	A-08
REV:	

PWD

Public Works
Department
Ministry of
Communications
& Works

P.O. Box 344
Montserrat
West Indies
T: (664) 491-6611
F: (664) 491-6659
E: govarch@gov.ms



NOTES

Paint all new columns & timber ceiling
white to match existing white paint.

WEST ELEVATION
SCALE 1/4" = 1'-0"

Revisions

A	MM/DD/YY	Date	Description

General Notes

1. This drawing is the exclusive property of the The Ministry of Communications & Works for Montserrat and the reproduction in whole or in part is prohibited without prior written consent.
2. The Contractor is to check and verify all levels datum and dimensions and report any discrepancy or omission to the Architect, prior to construction.
3. Drawings are not to be scaled
4. The Architect is not responsible for dimensions of the site plan unless they are taken directly from a registered boundary survey carried out by a Licensed Land Surveyor.
5. This drawing is to be read in conjunction with Structural, Mechanical, Electrical and/or other consultant's documentation that is applicable to the project.

PROJECT
MARINE VILLAGE
DIVE SHOP

DRAWING
WEST
ELEVATION

PROJECT NO.	
DATE	21/12/2018
SCALE	As Shown
DRAWN BY	MOWL
CHECKED BY	
DRAWING NO.	A-09
REV:	