

Revisions

A	MM/DD/YY	Date	Description

General Notes

1. This drawing is the exclusive property of the Ministry of Communications & Works for Montserrat and the reproduction in whole or in part is prohibited without prior written consent.
2. The Contractor is to check and verify all levels datum and dimensions and report any discrepancy or omission to the Architect, prior to construction.
3. Drawings are not to be scaled.
4. The Architect is not responsible for dimensions of the site plan unless they are taken directly from a registered boundary survey carried out by a Licensed Land Surveyor.
5. This drawing is to be read in conjunction with Structural, Mechanical, Electrical and/or other consultant's documentation that is applicable to the project.

PROJECT

MSS TIMBER
CLASSROOMS

DRAWING

Site plan

PROJECT NO.
P.085
DATE
06/02/2013
SCALE: 1/32" = 1'
As Shown
DRAWN BY
LD, RS, JC
CHECKED BY

DRAWING NO.
A-01

REV:



Block A- Art studio
Block B- Classroom 1&2
Block C- Classroom 3&4
Block D- Classroom 5&6
Block E- Wood works

4' Wide foot paths using 1' deep flat beds filled with compacted aggregate.

4' Wide foot paths using 1' deep flat beds filled with compacted aggregate.

Please Note: Existing grassed area to remain with only the addition of foot paths where indicated.

Existing vegetation on site boundary

Existing vegetation on site boundary

Existing Agriculture Shed.

Cricketer Pitch

Existing bathroom block with storage container to the south

100' 7 1/2" ROOM

Path to existing Montserrat Secondary School

NORTHERN

MAIN

Gate

RETAINING WALL

steps

steps

Existing Tennis Pavilion

FP

Revisions

Rev	MM/DD/YY	Date	Description
A			

General Notes

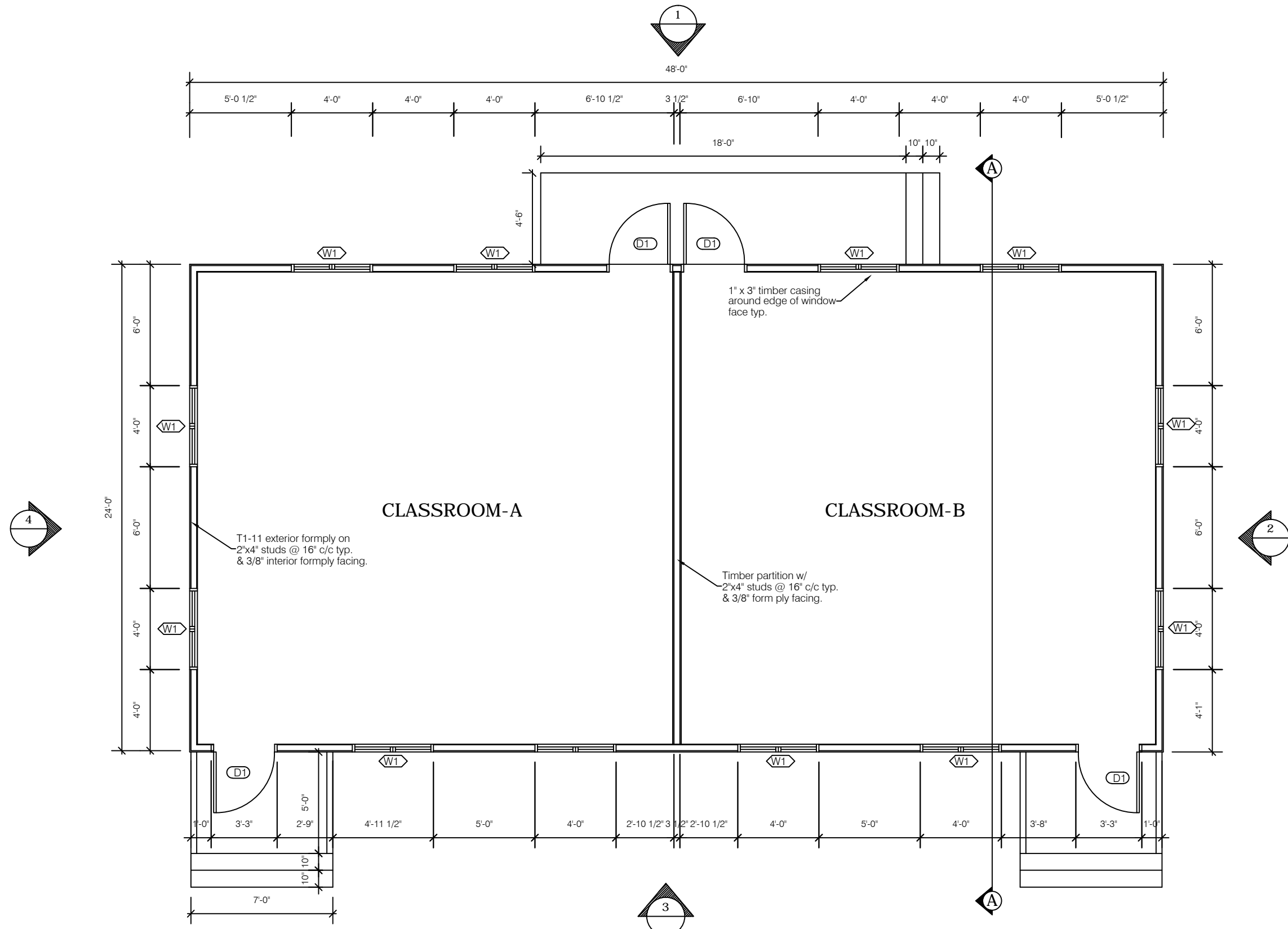
- This drawing is the exclusive property of the Ministry of Communications & Works for Montserrat and the reproduction in whole or in part is prohibited without prior written consent.
- The Contractor is to check and verify all levels datum and dimensions and report any discrepancy or omission to the Architect, prior to construction.
- Drawings are not to be scaled.
- The Architect is not responsible for dimensions of the site plan unless they are taken directly from a registered boundary survey carried out by a Licensed Land Surveyor.
- This drawing is to be read in conjunction with Structural, Mechanical, Electrical and/or other consultant's documentation that is applicable to the project.

PROJECT
MSS TIMBER
CLASSROOMS

DRAWING
FLOOR PLAN

PROJECT NO.

DATE
01/22/2015
SCALE
As Shown
DRAWN BY
OJ,RS,LD
CHECKED BY
REV:
DRAWING NO.
A-02



FLOOR PLAN
SCALE 3/16" = 1'-0"

WINDOW SCHEDULE			
SYM	QUANT.	SIZE	TYPE
W1	12	48"x48"	JALOUSIE W/ 2" ALUMINIUM LOUVRE INSERTS

DOOR SCHEDULE			
SYM	QUANT.	SIZE	TYPE
D1	4	36"x80"	ALUMINIUM W/ 2" LOUVRE INSERT

Revisions

Rev.	Date	Description
A	MM/DD/YY	

General Notes

1. This drawing is the exclusive property of the Ministry of Communications & Works for Montserrat and the reproduction in whole or in part is prohibited without prior written consent.
2. The Contractor is to check and verify all levels datum and dimensions and report any discrepancy or omission to the Architect, prior to construction.
3. Drawings are not to be scaled.
4. The Architect is not responsible for dimensions of the site plan unless they are taken directly from a registered boundary survey carried out by a Licensed Land Surveyor.
5. This drawing is to be read in conjunction with Structural, Mechanical, Electrical and/or other consultant's documentation that is applicable to the project.

PROJECT

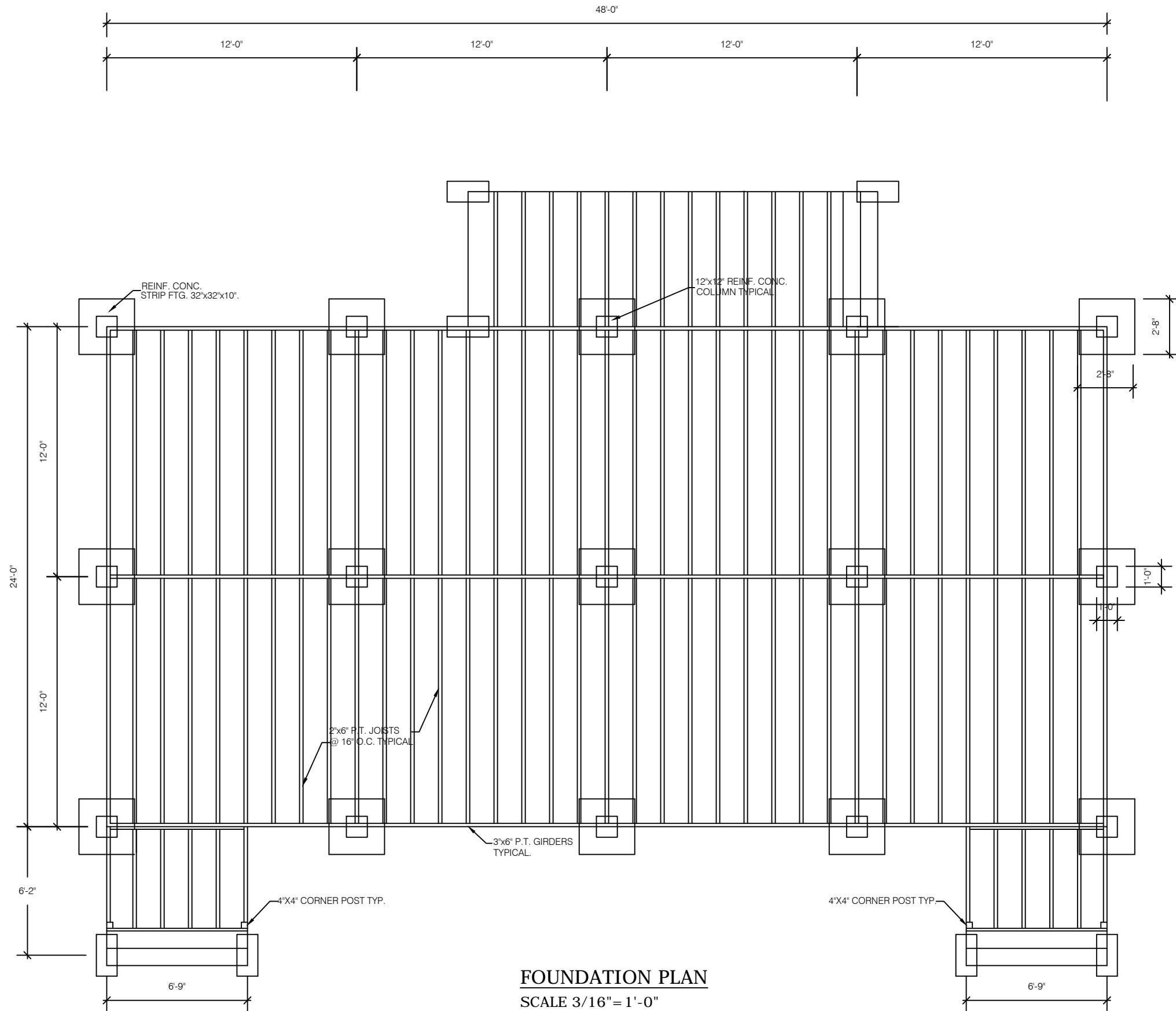
MSS TIMBER
CLASSROOMS

DRAWING

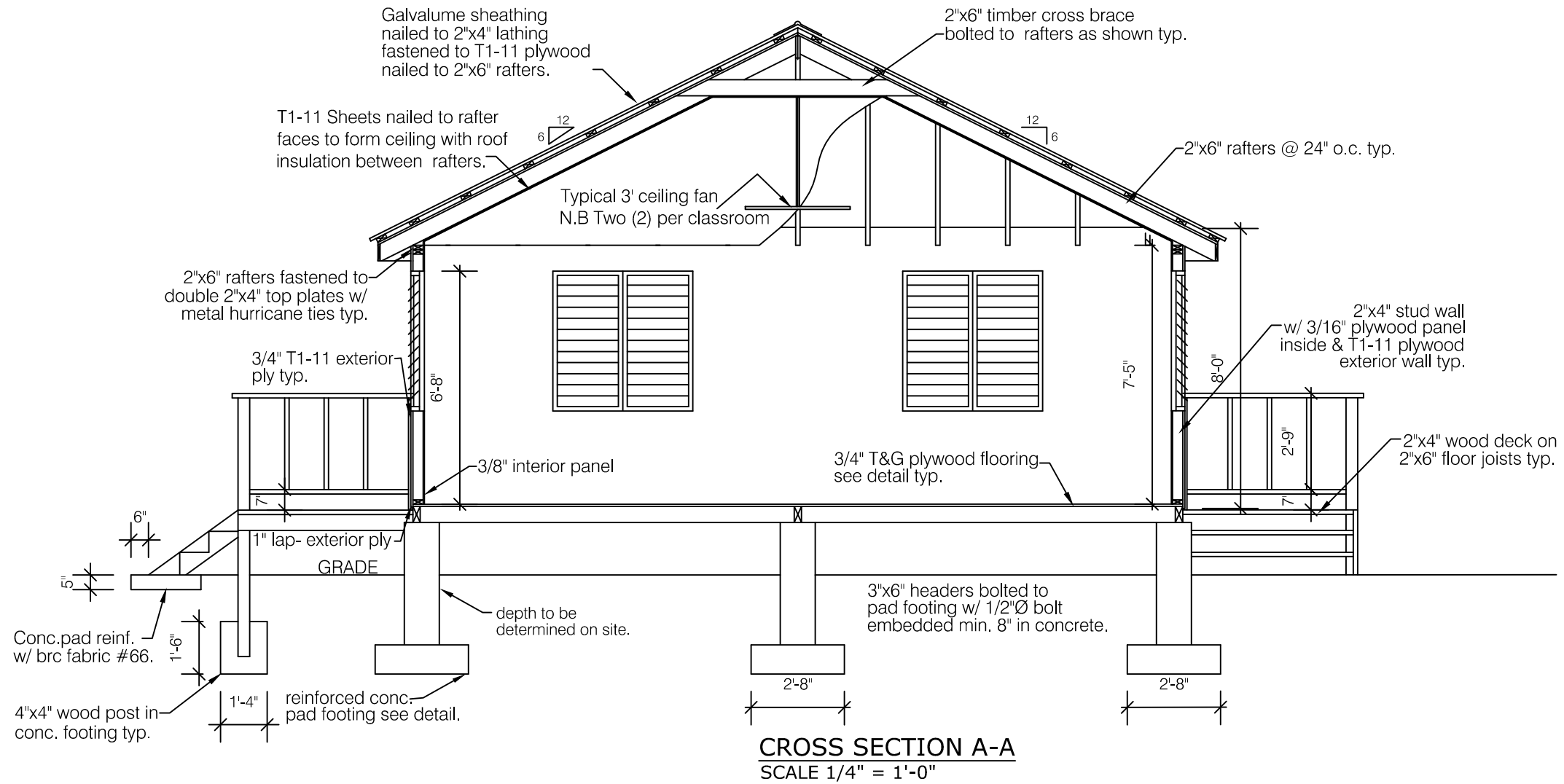
FOUNDATION PLAN

PROJECT NO.
--
DATE
01/22/2015
SCALE
As Shown
DRAWN BY
OJ, RS, LD
CHECKED BY

DRAWING NO.
A-03
REV:



FOUNDATION PLAN
SCALE 3/16" = 1'-0"



Revisions

MM/DD/YY	Date	Description
A		

General Notes

1. This drawing is the exclusive property of the Ministry of Communications & Works for Montserrat and the reproduction in whole or in part is prohibited without prior written consent.
2. The Contractor is to check and verify all levels datum and dimensions and report any discrepancy or omission to the Architect, prior to construction.
3. Drawings are not to be scaled.
4. The Architect is not responsible for dimensions of the site plan unless they are taken directly from a registered boundary survey carried out by a Licensed Land Surveyor.
5. This drawing is to be read in conjunction with Structural, Mechanical, Electrical and/or other consultant's documentation that is applicable to the project.

PROJECT
MSS TIMBER
CLASSROOMS

DRAWING
SECTION A-A

PROJECT NO. ---	DRAWING NO. A-04
DATE 01/22/2015	REV:
SCALE As Shown	
DRAWN BY OJ RS,LD	
CHECKED BY	



**Public Works
Department**
Ministry of
Communications
& Works

P.O. Box 344
Montserrat
West Indies
T: (664) 491-6611
F: (664) 491-6659
E: govarch@gov.ms

Revisions

A	MM/DD/YY	Date	Description

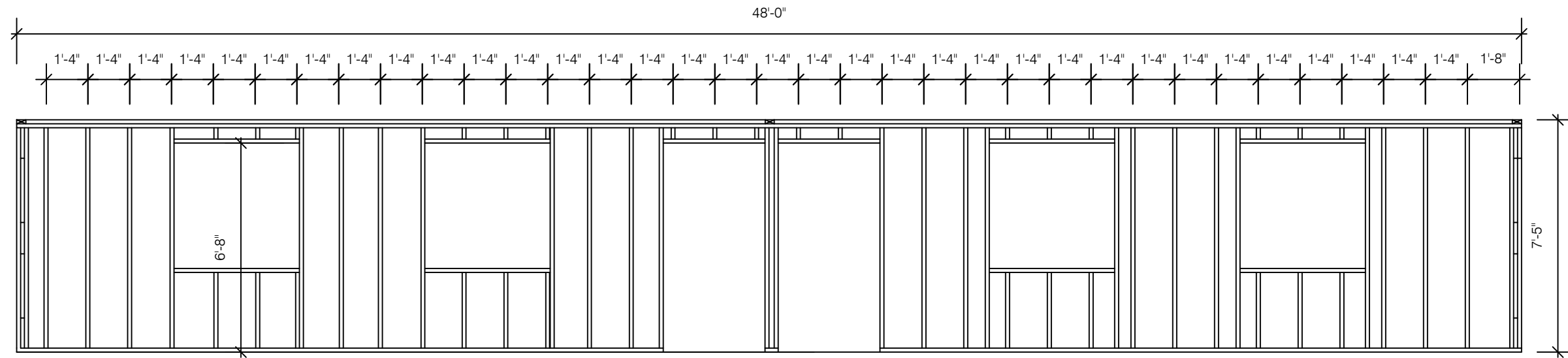
General Notes

1. This drawing is the exclusive property of the Ministry of Communications & Works for Montserrat and the reproduction in whole or in part is prohibited without prior written consent.
2. The Contractor is to check and verify all levels datum and dimensions and report any discrepancy or omission to the Architect, prior to construction.
3. Drawings are not to be scaled.
4. The Architect is not responsible for dimensions of the site plan unless they are taken directly from a registered boundary survey carried out by a Licensed Land Surveyor.
5. This drawing is to be read in conjunction with Structural, Mechanical, Electrical and/or other consultant's documentation that is applicable to the project.

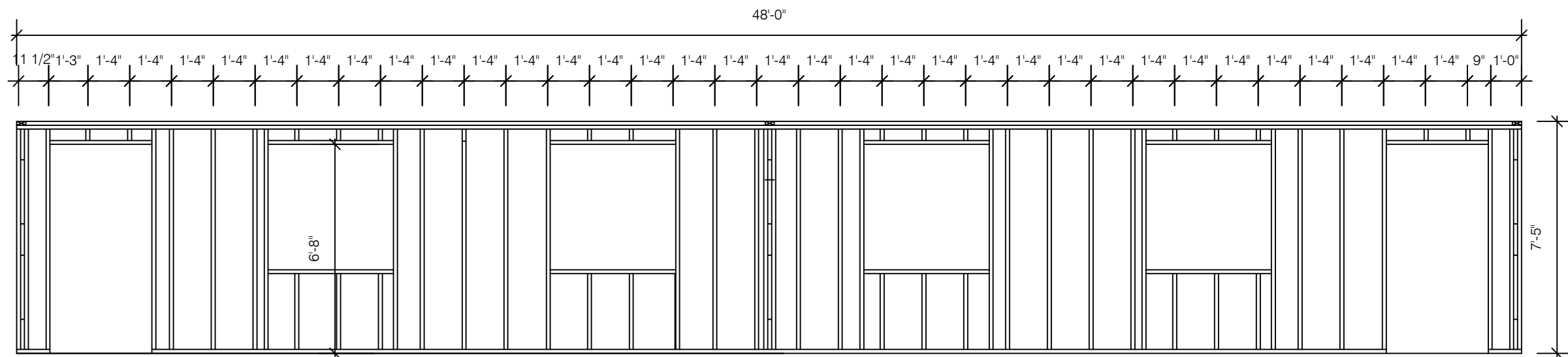
PROJECT
**MSS TIMBER
CLASSROOMS**

DRAWING
**WALL FRAMING
PLAN**

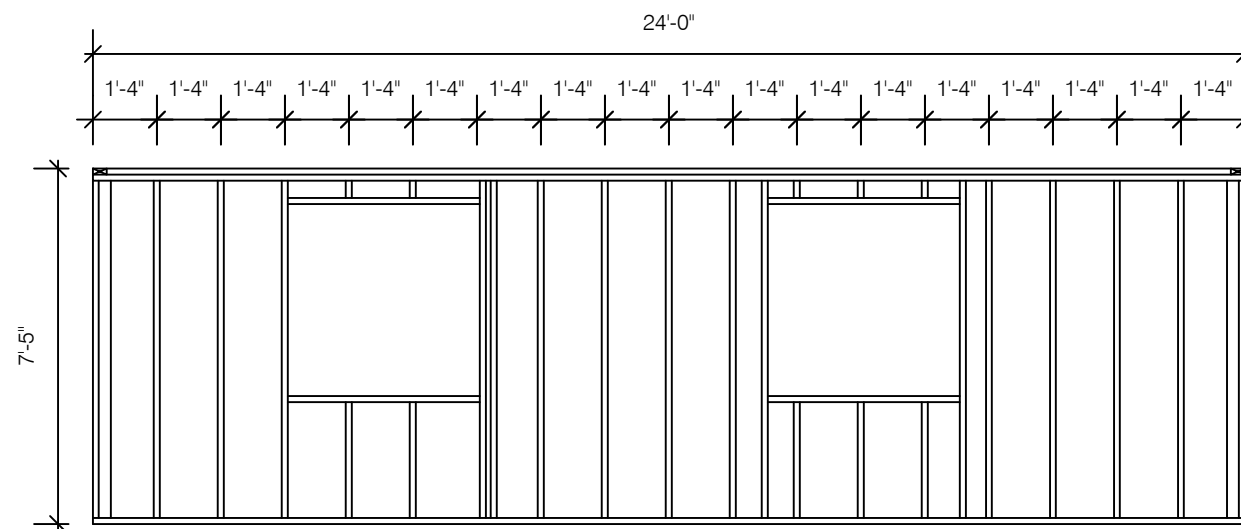
PROJECT NO. ---	DRAWING NO. A-05
DATE 01/22/2015	
SCALE As Shown	
DRAWN BY OJ, RS, LD	
CHECKED BY	REV:



1 REAR ELEVATION WALL FRAMING PLAN
SCALE 1/4" = 1'-0"



3 FRONT ELEVATION WALL FRAMING PLAN
SCALE 1/4" = 1'-0"



2 RIGHT SIDE WALL FRAMING PLAN
SCALE 1/4" = 1'-0"

Revisions

Rev	Date	Description
A	MM/DD/YY	

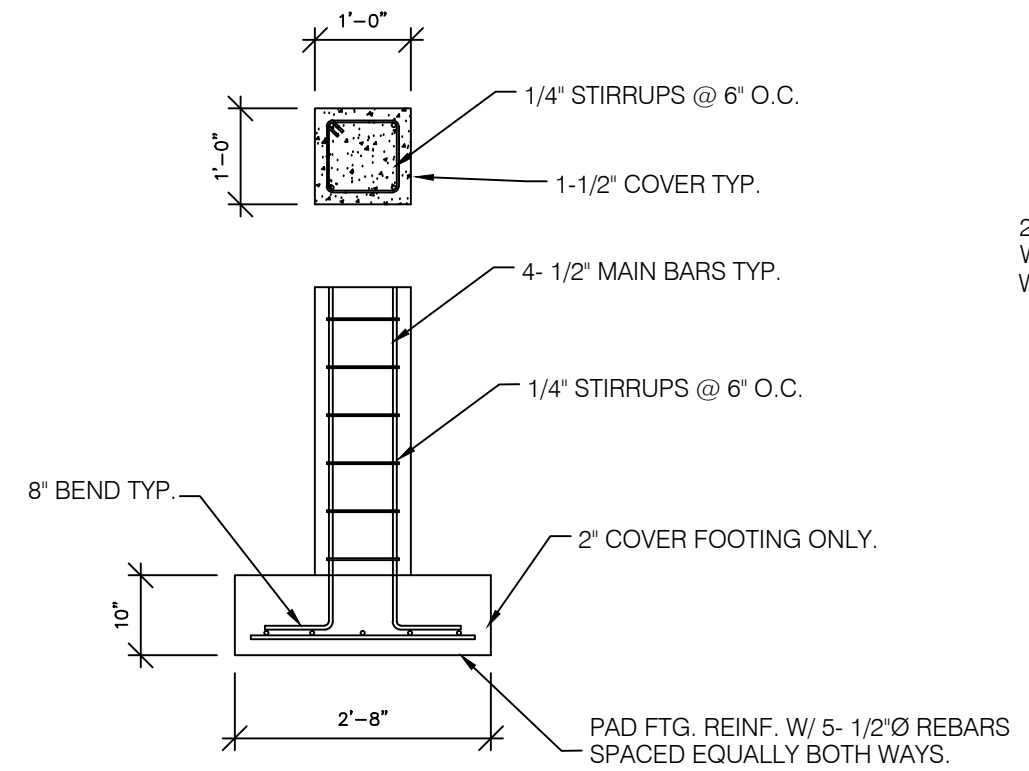
General Notes

1. This drawing is the exclusive property of the Ministry of Communications & Works for Montserrat and the reproduction in whole or in part is prohibited without prior written consent.
2. The Contractor is to check and verify all levels datum and dimensions and report any discrepancy or omission to the Architect, prior to construction.
3. Drawings are not to be scaled.
4. The Architect is not responsible for dimensions of the site plan unless they are taken directly from a registered boundary survey carried out by a Licensed Land Surveyor.
5. This drawing is to be read in conjunction with Structural, Mechanical, Electrical and/or other consultant's documentation that is applicable to the project.

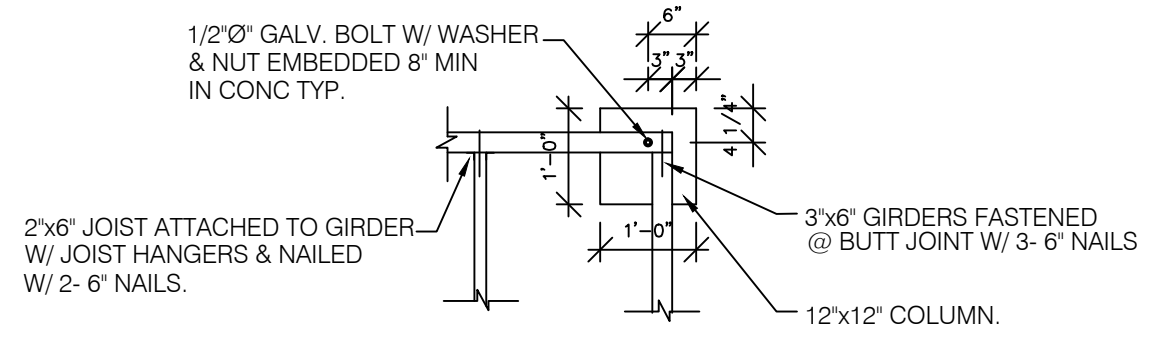
PROJECT
MSS TIMBER
CLASSROOMS

DRAWING
DETAILS

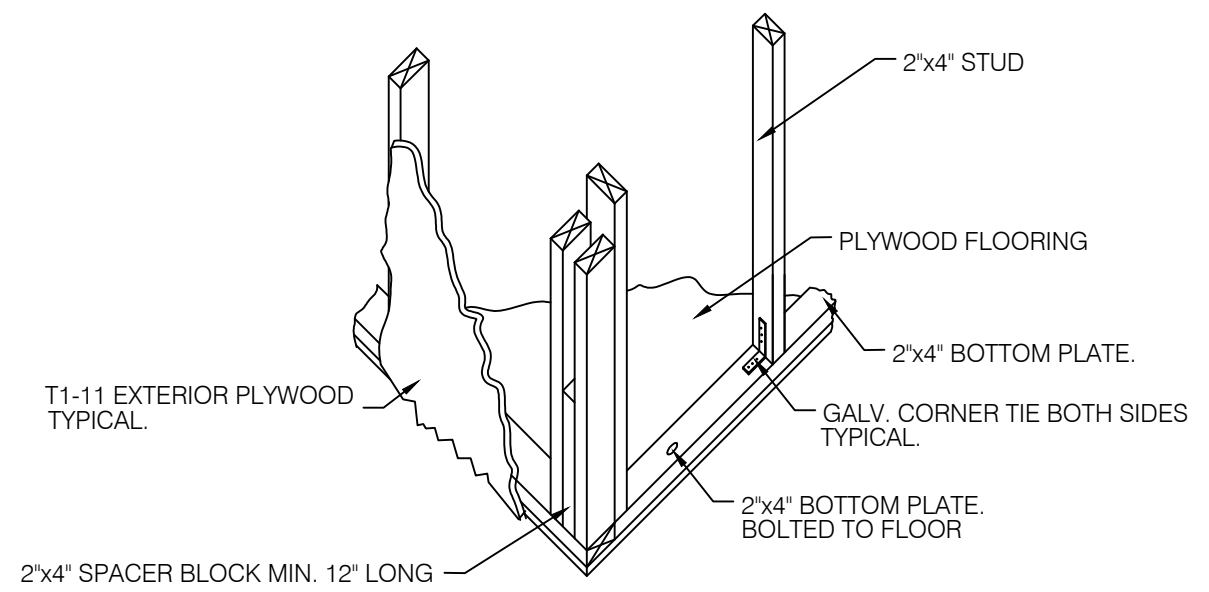
PROJECT NO. ---	DRAWING NO. A-06
DATE 01/22/2015	
SCALE As Shown	
DRAWN BY OJ, RS, LD	
CHECKED BY	REV:



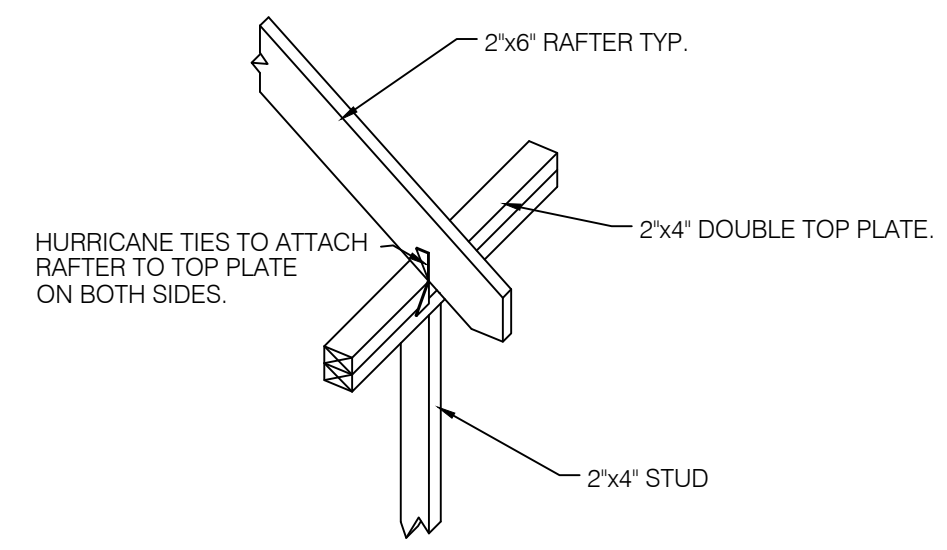
PAD FOOTING DETAIL
SCALE 1/2" = 1'-0"



FLOOR FRAMING CONNECTION DETAIL.
SCALE 1/2" = 1'-0"



CORNER FRAMING ISOMETRIC DETAIL.
SCALE 1/2" = 1'-0"



RAFTER TO TOP PLATE CONNECTION DETAIL.
SCALE 1/2" = 1'-0"

Revisions

A	MM/DD/YY	Date	Description

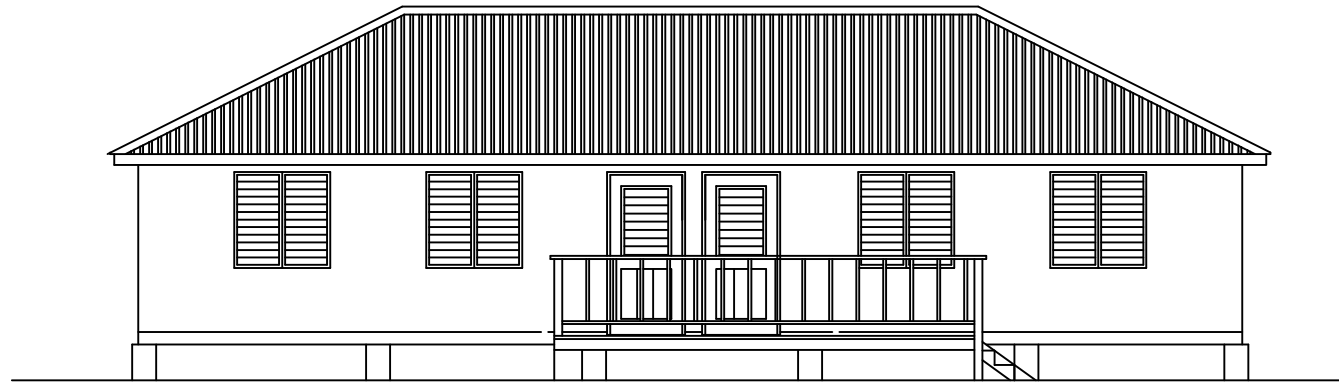
General Notes

1. This drawing is the exclusive property of the The Ministry of Communications & Works for Montserrat and the reproduction in whole or in part is prohibited without prior written consent.
2. The Contractor is to check and verify all levels datum and dimensions and report any discrepancy or omission to the Architect, prior to construction.
3. Drawings are not to be scaled
4. The Architect is not responsible for dimensions of the site plan unless they are taken directly from a registered boundary survey carried out by a Licensed Land Surveyor.
5. This drawing is to be read in conjunction with Structural, Mechanical, Electrical and/or other consultant's documentation that is applicable to the project.

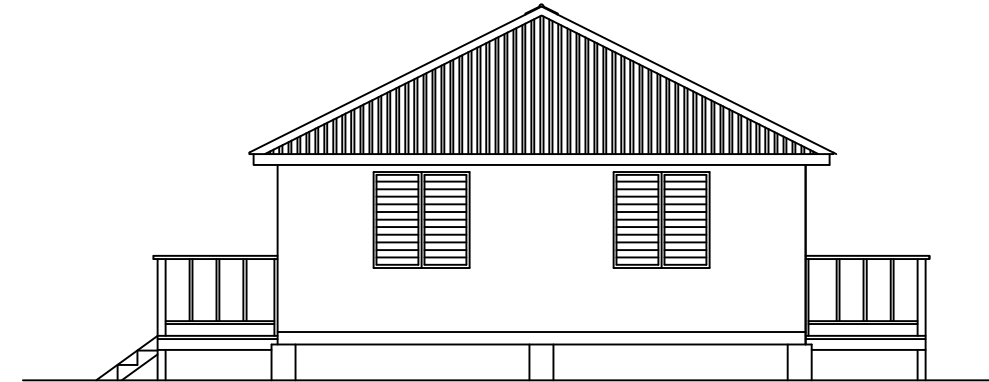
PROJECT
MSS TIMBER
CLASSROOMS

DRAWING
ELEVATIONS

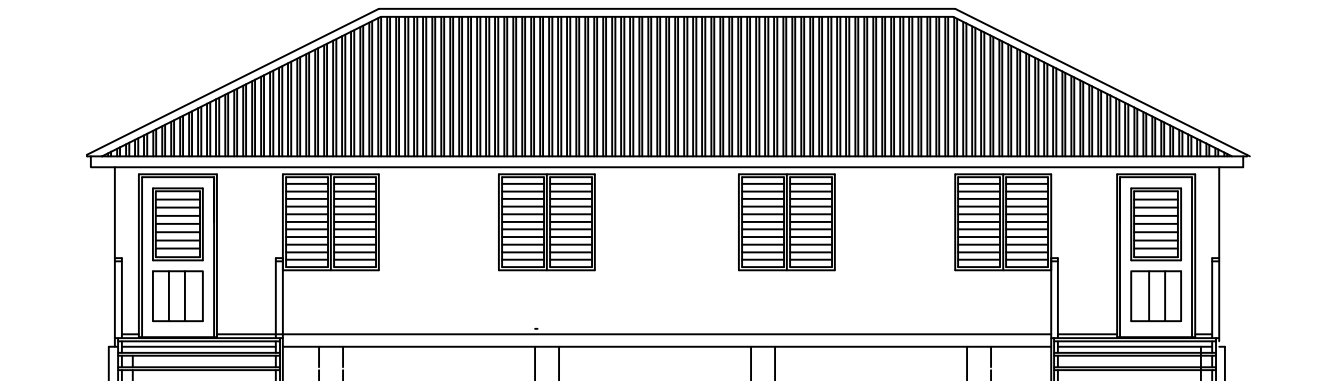
PROJECT NO. ---	DRAWING NO. A-07
DATE 01/22/2015	CHECKED BY REV:
SCALE As Shown	DRAWN BY OJ, RS, LD



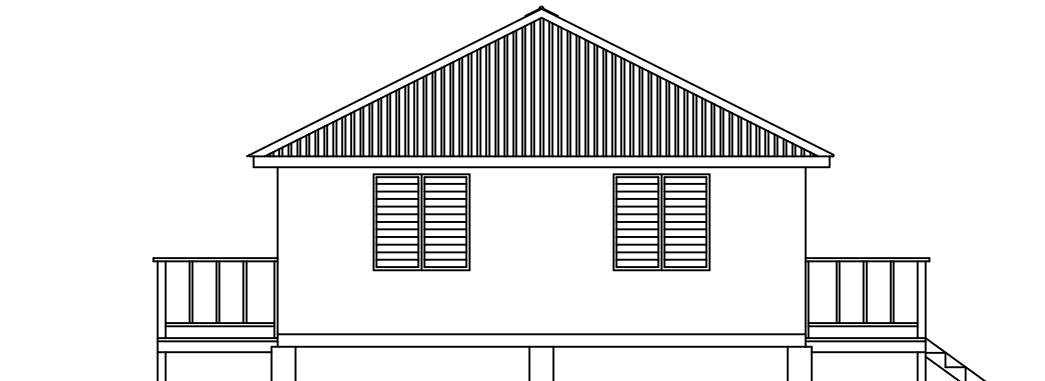
① REAR ELEVATION
SCALE 1/8" = 1'-0"



② RIGHT-SIDE ELEVATION
SCALE 1/8" = 1'-0"



③ FRONT ELEVATION
SCALE 1/8" = 1'-0"



④ LEFT-SIDE ELEVATION
SCALE 1/8" = 1'-0"

Revisions

MM/DD/YY	Date	Description
A		

General Notes

1. This drawing is the exclusive property of the Ministry of Communications & Works for Montserrat and the reproduction in whole or in part is prohibited without prior written consent.
2. The Contractor is to check and verify all levels datum and dimensions and report any discrepancy or omission to the Architect, prior to construction.
3. Drawings are not to be scaled.
4. The Architect is not responsible for dimensions of the site plan unless they are taken directly from a registered boundary survey carried out by a Licensed Land Surveyor.
5. This drawing is to be read in conjunction with Structural, Mechanical, Electrical and/or other consultant's documentation that is applicable to the project.

PROJECT

MSS TIMBER
CLASSROOMS

DRAWING

ROOF FRAMING
PLAN

PROJECT NO.

DATE

01/22/2015

SCALE

As Shown

DRAWN BY

OJ, RS, LD

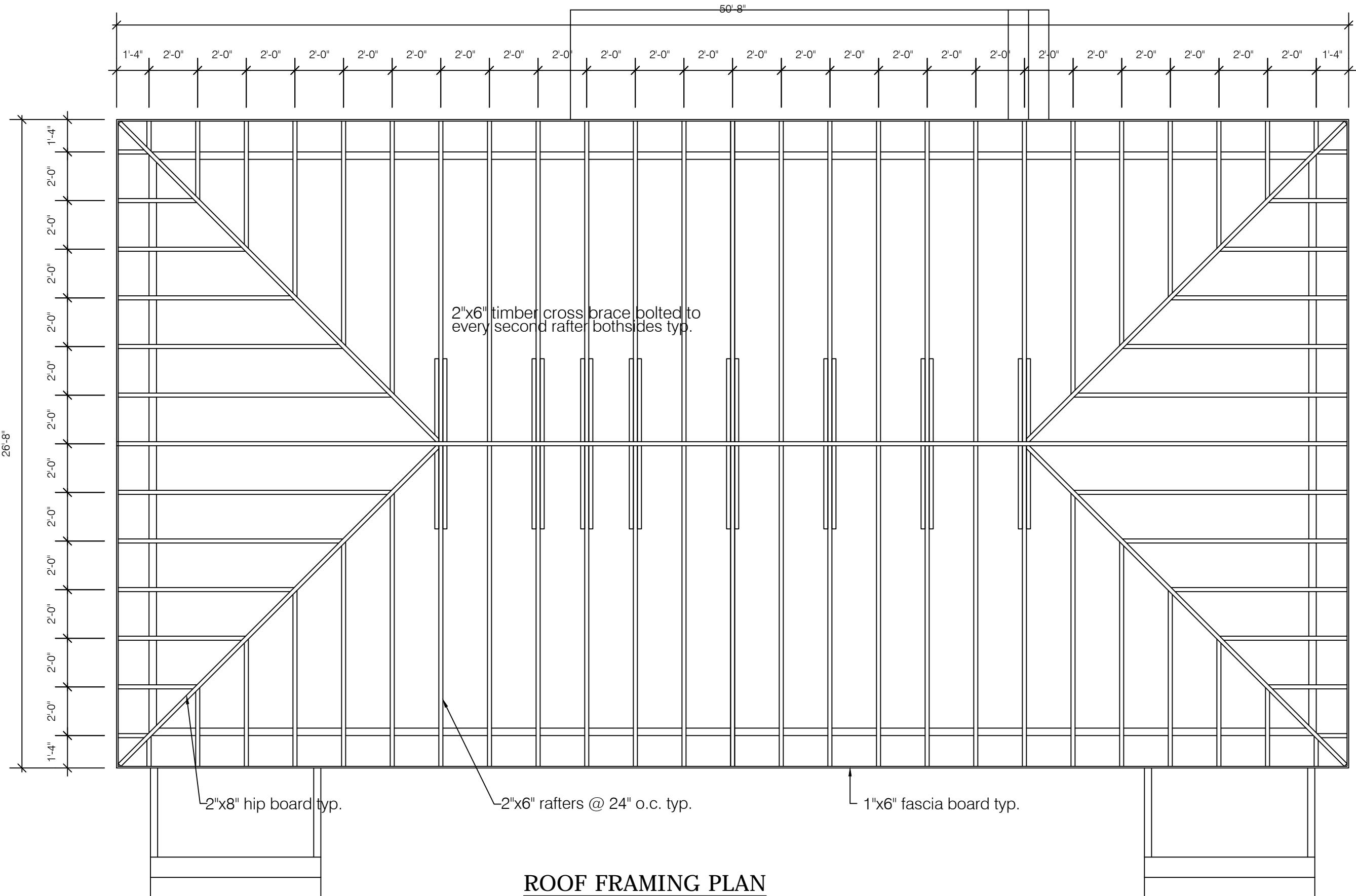
CHECKED BY

REV:

DRAWING NO.

A-08

REV:



ROOF FRAMING PLAN

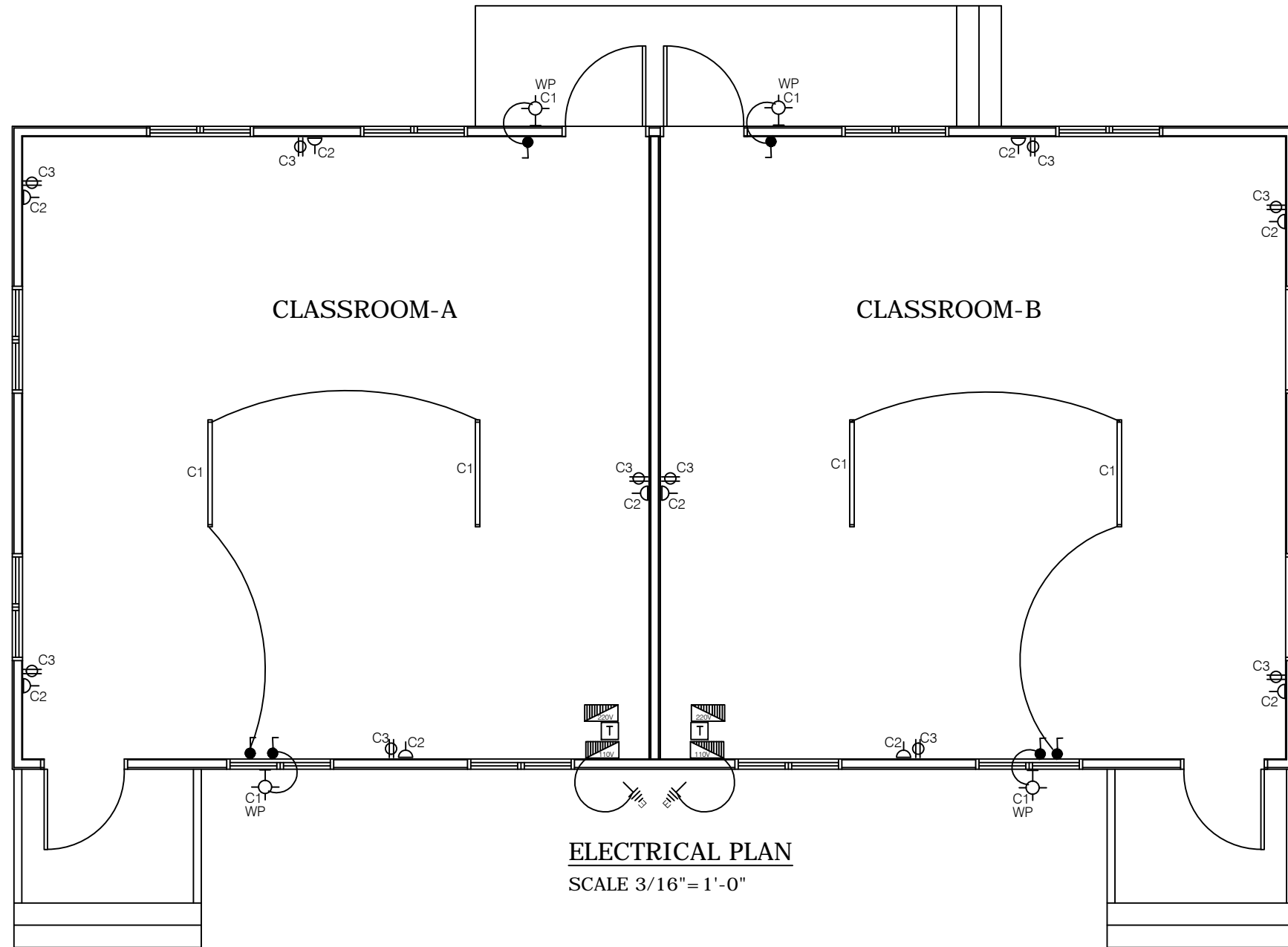
SCALE 1/4" = 1'-0"

2"x8" hip board typ.

2"x6" rafters @ 24" o.c. typ.

1"x6" fascia board typ.

2"x6" timber cross brace bolted to every second rafter both sides typ.



ELECTRICAL PLAN
SCALE 3/16" = 1'-0"

LEGEND

SYMBOL	DESCRIPTION
	SINGLE POLE SWITCH 48" A.F.F
	TWO WAY SWITCH 48" A.F.F.
	110V OUTLET 18" A.F.F
	220V OUTLET 18" A.F.F
	WALL MOUNTED FIXTURE WEATHER PROTECTED
	4ft. FLOURESCENT FIXTURE
	220V DISTRIBUTION PANEL
	110V DISTRIBUTION PANEL
	EARTHING - 6' x 1/2"Ø COPPER ROD
	MONLEC METER AND FUSE

PANEL A CIRCUIT SCHEDULE (Classroom.)						
TYPE: SPN (TYPE A) 4 WAYS ISOLATOR: 100A DP VOLTAGE: 240 VOLTS AC		DESCRIPTION: 240V POWER AND LIGHTING LOCATION: Classroom SUPPLY FROM: ELECTRICITY METER SUPPLY CALE LENGTH & SIZE = 16mm ²				
CIRCUIT NO.	DESCRIPTION	NO. OF POINTS	MCB RTG. (A)	CABLE SIZE mm ²	EST. LENGTH (M)	EST. LOAD (A)
1	LIGHTS: classroom	8	5	1.5		1.5
2	OUTLETS: classroom	10	20	2.5		15
	Transformer 5kva	1	30	6.0		20

PANEL B CIRCUIT SCHEDULE (Classroom.)						
TYPE: SPN (TYPE A) 4 WAYS ISOLATOR: 100A DP VOLTAGE: 110 VOLTS AC		DESCRIPTION: 110V POWER LOCATION: CLASSROOM SUPPLY FROM: Panel A via 5kva transformer SUPPLY CALE LENGTH & SIZE = 16mm ²				
CIRCUIT NO.	DESCRIPTION	NO. OF POINTS	MCB RTG. (A)	CABLE SIZE mm ²	EST. LENGTH (M)	EST. LOAD (A)
3	OUTLETS: Classroom	10	20	2.5		15

Revisions

MM/DD/YY	Date	Description
A		

General Notes

- This drawing is the exclusive property of the Ministry of Communications & Works for Montserrat and the reproduction in whole or in part is prohibited without prior written consent.
- The Contractor is to check and verify all levels datum and dimensions and report any discrepancy or omission to the Architect, prior to construction.
- Drawings are not to be scaled
- The Architect is not responsible for dimensions of the site plan unless they are taken directly from a registered boundary survey carried out by a Licensed Land Surveyor.
- This drawing is to be read in conjunction with Structural, Mechanical, Electrical and/or other consultant's documentation that is applicable to the project.

PROJECT
MSS TIMBER
CLASSROOMS

DRAWING
ELECTRICAL

PROJECT NO. ---	DRAWING NO. A-09
DATE 01/22/2015	
SCALE As Shown	
DRAWN BY OJ, RS, LD	
CHECKED BY	REV: